



WECHAT



WEB

Welcome to HEARKEN

Actuators and Controls

**Hearken
Here We
Can**

The Trusted, Passionate and focused Partner in Valve Automation

At HEARKEN FLOW, The founding principle of Hearkenflow is simple: to Listen our customers needs first, to develop the innovative valve actuators solutions , to meet the unique needs of our customers, Along the way, To help our customers to solve the problems in Valve Automation. We are growing our brand in Pneumatic and Electric Actuators, Accessories..



IP68



Experienced team



Large inventory



Convenient consultation

WHY WE ARE DIFFERENT

We offer a complete valve automation solution by the applications experience and customization capabilities, with an experienced support team to guide you in selection, installation, and project support. In addition we maintain an extensive supply of product inventory on hand so that we can quickly fulfill orders and reduce wait times. Our sales and support staff are readily available and accessible so that customers get the answers they need quickly.

THE TARGET WE ARE PURSUING



High-quality



low cost



Reliable solution

- To built A strong Reputation in Providing Quality, Cost Effective , Reliable And Robust Performance Solutions for Valve Automation,
- Included Pneumatic Actuators, Electrically Actuators, Actuated Valves.



COMMITMENT TO QUALITY

At HEARKEN FLOW means performance, All products manufactured by HEARKEN FLOW are warranted against defects in material and workmanship for a period of 18 months from the day of startup. Each of our products are tested at the factory. we are confident that our products meet or exceed all applicable standards before they ever leave our facility. We are an ISO 9001-2008 certified company. Our Valve Actuators Has Applied for SIL3 Certificate, ATEX Certificate ,CE,Explosion-proof Certificate, IP68 Weather proof etc....

HGB Series Gear Box

Description



HGB series valve manual device adopts worm gear and worm drive pair and high performance needle roller bearing is installed at both ends of the worm, with compact structure. At the same time, the requirement of thrust in the process of positive inversion is ensured, Large torque, high mechanical efficiency, small size, easy operation and reliable self locking.

Main Product features

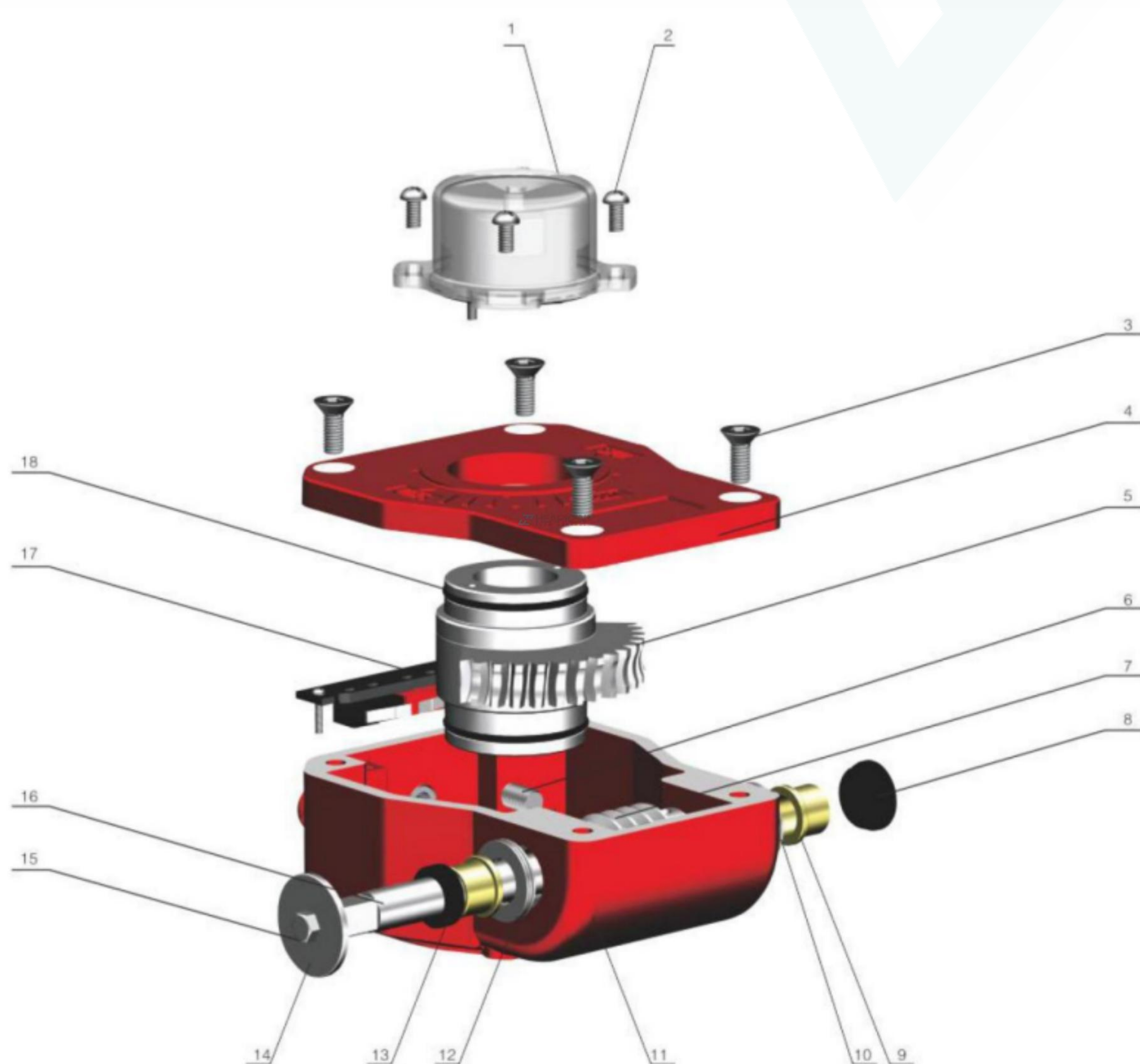


- Precision casting aluminum alloy box
- Specifications are optional.
- Reliable thrust roller bearing
- High strength steel input shaft with protection.
- Stroke:0-90° (±5° degrees adjustable)
- Solid and compact structure
- Built in grease to improve service life.
- Adjustable mechanical limit.
- Good seal

Work Environment



HGB series angular stroke worm gearbox is suitable for industrial site in various climatic regions and special temperatures. It has reliable operation stability and long-term maintenance-free guarantee. At the same time, we strive to make our gearbox can adapt to a variety of harsh environments and improve stability. Waterproof grade: HGB series reduction gearbox meets the IP67 sealing protection level stipulated by EN 60529 standard. Working temperature: the standard temperature of HGB series worm gear box is -30°C to + 120°C (-22°F to +250°F). Spray paint color: HGB series worm gear box standard surface paint color is black and red (also can be customized according to customer requirements)



Connect With Valve



HGB series valve worm gear box and valve connection using flange connection mode, connection flange size conforms to EN ISO 5210 or DIN 3210 requirements, can also be customized according to customer requirements.

Product Application

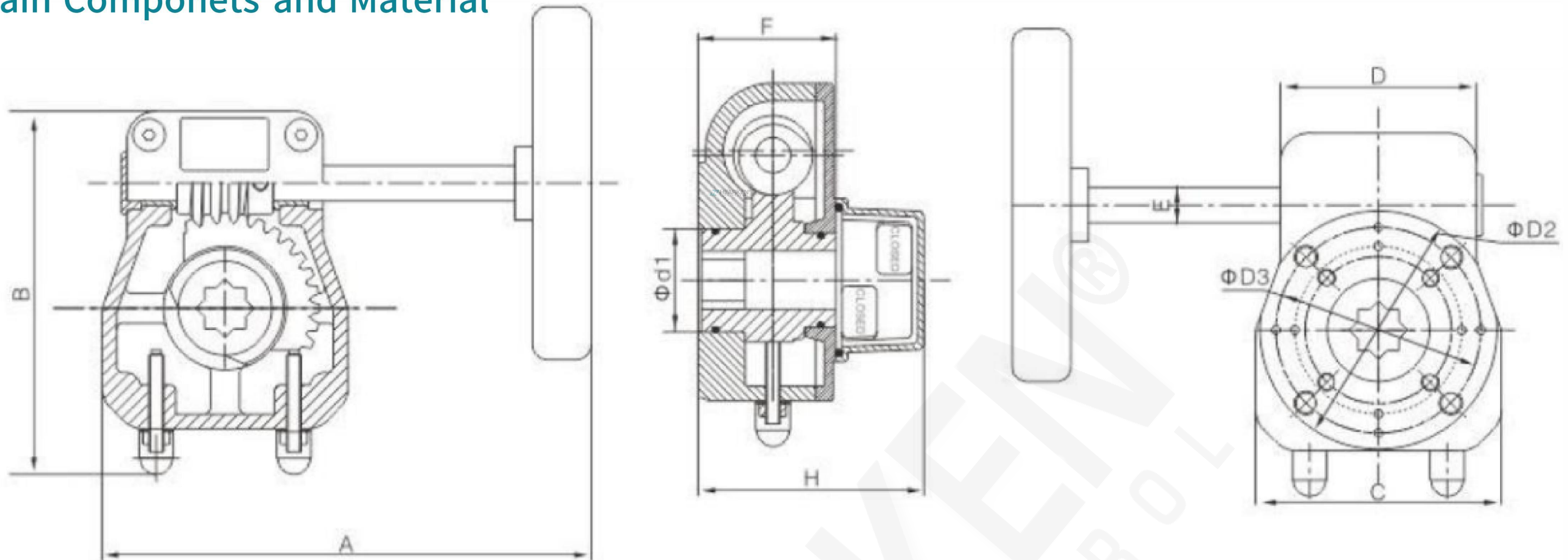


HGB Series Valve Worm Gear Box is a 90° rotation worm gear reducer, providing a variety of handwheel models for customers to choose. Suitable for ball valves, butterfly valves and other 90 degree rotation valves, can also be used in the flow baffle and power plant air gate and other occasions.

| No. | Name | Material |
|-----|-----------------------------|--------------------------------|
| 1 | Transparent indicator cover | PC Pilycarton resin |
| 2 | Screw | 304 |
| 3 | Screw | 304 |
| 4 | Cover | ADC12 |
| 5 | Worm gear | QT450 |
| 6 | Regulating screw | 304 |
| 7 | Rack | 45# steel |
| 8 | Stuffy cover | Butadiene-acrylonitrile rubber |
| 9 | Axle sleeve | Ketone based PZ2175 |
| 10 | Plane bearing | Alloy steel |
| 11 | Housing | ADC 12 |
| 12 | Plane bearing | Alloy steel |
| 13 | Skeleton oil seal | Rubber |
| 14 | Shim | 304 |
| 15 | Screw | 304 |
| 16 | Axis | 45# steel |
| 17 | Limit switch | |
| 18 | O type ring | Butadiene-acrylonitrile rubber |

| Model | Connect With Ball Valve | Connect With Butterfly Valve |
|--------|-------------------------|------------------------------|
| HGB-01 | DN25-40 | DN50-100 |
| HGB-02 | DN50-65 | DN125-DN150 |
| HGB-03 | DN80-100 | DN200-250 |
| HGB-04 | DN125-150 | DN300-DN350 |

Main Componets and Material



| Model | HGB-01 | HGB-02 | HGB-03 | HGB-04 |
|---|-------------|--------------|------------------|--------------------|
| Standart output flange type | F05/F07 | F07 | F07/F10/F12 | F10/F14 |
| Optional output flange type | | | | F12 |
| Flange outer diameter D2 | 81 | 92 | 125 | 140 |
| Standard connection hole center D3 | 50/70 | 70(89 spare) | 70/102/125 | 102/140(125 spare) |
| Specification of thread hole | 4-M6/4-M8 | 4-M8 | 4-M8/4-M10/4-M12 | 4-M12/4-M16 |
| (Tianjin butterfly valve) center of cross connection hole | 57/70 | 70 | 89 | 108 |
| Standard axis \varnothing | 12.8/15.9 | 19.1 | 22.2/28.6 | 31.8 |
| Standard axis \square | 11x11/14x14 | 14x14/17x17 | 22x22 | 27x27 |
| \varnothing d1 | 35 | 42 | 55 | 70 |
| Output torque Nm | 180 | 320 | 680 | 1200 |
| Approximate weight (kg) | 1.3 | 1.85 | 3.9 | 6.8 |
| Hand wheel diameter (mm) | 120 | 160 | 250 | 300 |
| A | 165 | 185 | 250 | 300 |
| B | 127 | 142 | 190 | 220 |
| C | 84 | 102 | 140 | 164 |
| D | 66 | 79 | 112 | 120 |
| E | 12 | 12 | 16 | 20 |
| F | 47 | 52 | 68 | 71 |
| H | 73 | 78 | 108 | 111 |

Note:

- optional flange type thread hole center distance and number of threaded holes meet ISO 5211 standard.
- optional shaft hole D, key width BX hub depth T if there is no special description GB/T 1095 - 2003 processing.
- Handwheel diameters are selected according to the customer's requirements for output torque and the actual input torque of the operator. If there is no special specification, the handwheeldiameters are all arranged according to this table.
- the static safety factor is 1.5

hand wheel diameter press type: $D_s = 2 * M / Q$

In formula: D_s - handwheel diameter (mm) M - input torque (N. mm) Q - circumferential torce (N) acting on the handwheel, the standard value of API 6D is 360N.